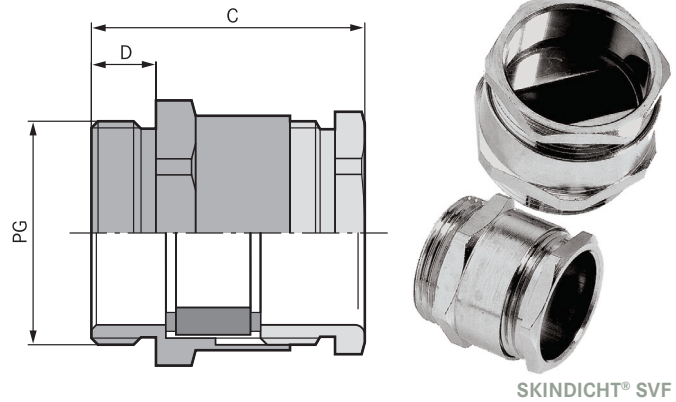


**SKINDICHT® SVF**



**Benefits**

- High mechanic stability
- Lateral sealing lips fit automatically around various cable dimensions
- Optimal strain relief
- Large clear opening allows clamping of up to two flat cables

**Application range**

- For inserting of flat cables.
- Conveyor systems
- Pumps
- Elevators
- Switch cabinet building

**Approvals (Norm references)**



**Design**

- PG connection thread

**Note**

- For suitable flat cables, see ÖLFLEX® LIFT F for indoor applications or ÖLFLEX® CRANE F for outdoor applications
- Counter nut to be used SKINDICHT® SM

**Technical data**

**Caution**  
Installation dimensions see Appendix T21

**On request**  
Available with long connection thread

**Material**  
Body: Nickel plated brass  
Special sealing insert: CR

**Degree of protection**  
IP 54

**Range of temperature**  
-20°C up to +100°C

Part number	Part designation / size	Flat cable width min./ max.	Min./ max. cable thickness in mm	SW1 / SW2 mm	Overall length C mm	Thread length D mm	Pieces / PU
<b>SKINDICHT® SVF</b>							
52005480	PG 16	-- 16.0	-- 5.0	24 / 22	27.5	6.5	25
52005490	PG 21	9.0 - 21.0	3.0 - 8.0	30 / 28	30.0	7.0	25
52005500	PG 29	14.0 - 30.0	4.0 - 11.5	40 / 37	31.5	8.0	10
52005510	PG36	24.0 - 40.0	4.0 - 11.5	50 / 47	36.0	9.0	10
52005520	PG 42	29.0 - 45.0	5.0 - 12.0	57 / 54	40.0	10.0	5
52005530	PG 48	34.0 - 50.0	5.0 - 12.0	64 / 60	41.5	10.0	5

ÖLFLEX®  
UNITRONIC®  
ETHERLINE®  
HITRONIC®  
EPIC®  
SKINTOP®  
SILVYN®  
FLEXIMARK®  
ACCESSORIES  
APPENDIX